



THE LEADER AND CREATOR OF FLIP CHIP DISPLAY PANEL

Ark Series

Indoor Fine Pixel Pitch Rental Display



PRODUCT OVERVIEW



The Ark Series is a 16:9 ultra-high-definition product designed for both fine-pitch rental and fixed LED display market. It is mainly used for display applications in various control fields such as stage rentals, auto shows, event sites, filming sites, concerts, dance parties, etc.



16:9 Rental



GOB High Protection



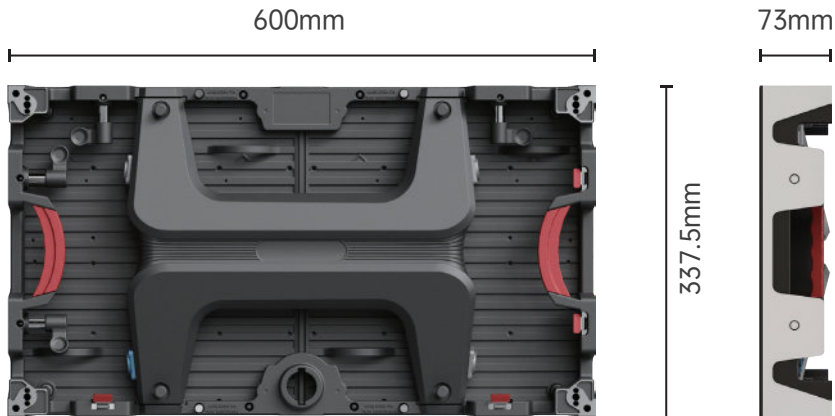
Easy Installation and Maintenance



Removeable Power Supply

PRODUCT DISPLAY

600*337.5*73



Ark Series
Wins 2021 Red Dot Design Award

PRODUCT FEATURES



					[PH1.25-4K][PH2.5-1080P] 4800x2700mm
				[PH0.9375-4K][PH1.875-1080P] 3600x2025mm	
				[PH1.56-1080P] 3000x1687.5mm	
			[PH0.625-4K][PH1.25-1080P] 2400x1350mm		
		[PH0.9375-1080P] 1800x1012.5mm			

16:9 golden ratio, seamlessly achieves standard resolutions including 2K, 4K, and up to 8K for rental quick installation.

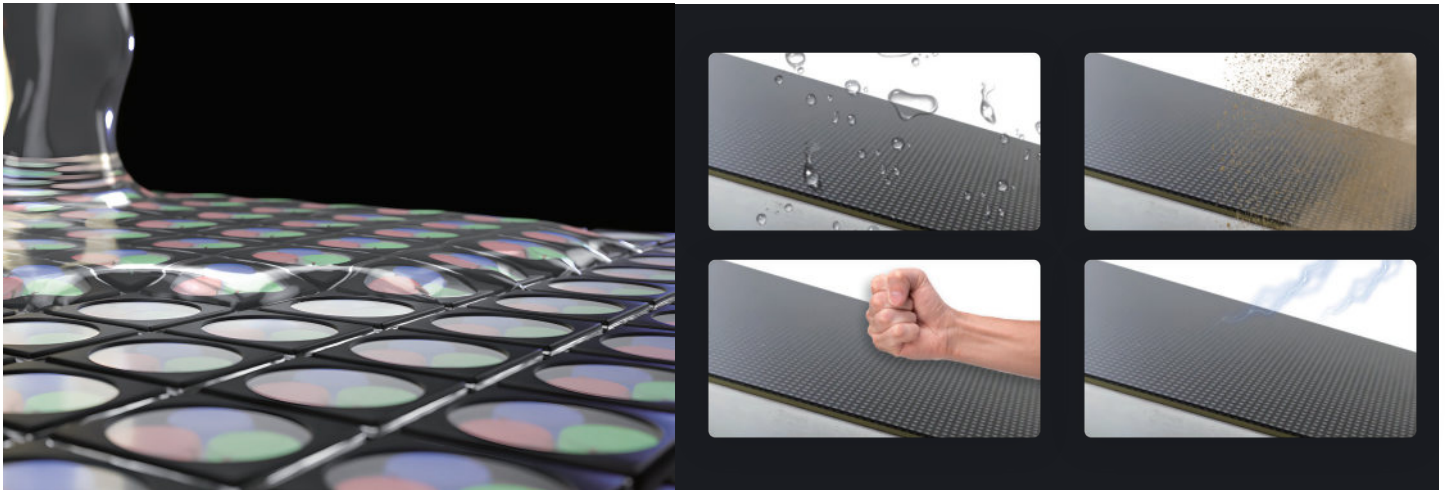
16:9 Rental:

High-end fine pitch rental series(common cathode optional).

High brightness optional.

The smallest pitch in rental area: P0.9.

Model: P0.9, P1.17, P1.25, P1.56, P1.875, P2.5, P3.7
Cabinet size: 600*337.5mm

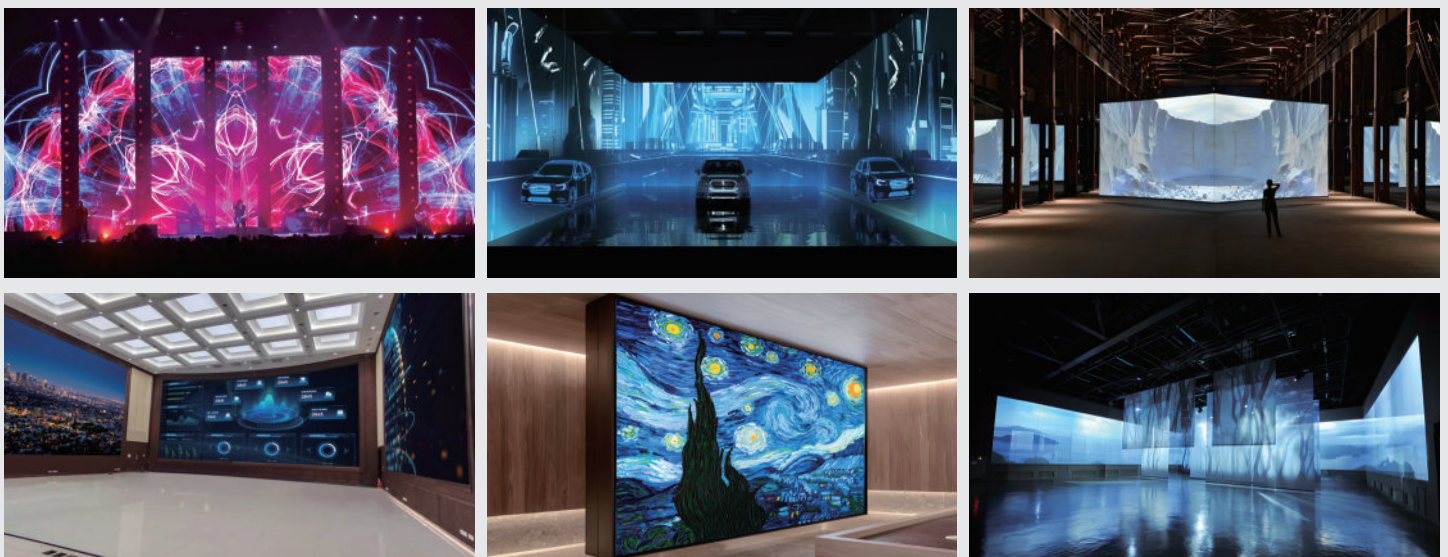


GOB High Protection: Special treatment with GOB technology, enabling surface water-resistant, dust-resistant, impact-resistant and anti-static.



Easy Installation and Maintenance: It can be used for both fixed and rental area, removable power box design. Front maintenance design allows for easy installation and maintenance. Support: Hanging/Standing/Stacking installation.

APPLICATIONS





	63F09	63F11	63F12	63F15	63F18	63F25	63F37
Pixel Pitch (mm)	P0.9375	P1.1718	P1.25	P1.5625	P1.875	P2.5	P3.7
Pixel Density (dots/m ²)	1,137,778	728,178	640,000	409,600	284,444	151,703	71,111
Cabinet Resolution (mm)(W×H)	640×360	512×288	480×270	384×216	320×180	240×128	160×90
Pixel Configuration	IMD 4 in 1	SMD0808	SMD1010	SMD1010/1212	SMD1515	SMD2121	SMD2121
Cabinet Size (mm)(W×H×D)	600×337.5×73						
Pixel Calibration	Support brightness and color calibration						
Brightness (nits)	200~4000 (High brightness optional)						
Gray Scale (bit)	14~16						
Color Temp (K)	2000~12000						
Control System	Synchronous control						
Frame Rate (Hz)	60/120						
Refresh Rate (Hz)	≥3840						
Working Voltage (V)	AC: 100V~240V, 50~60Hz						
Max. Power Consumption (W/m ²)			Common anode: ≤760		Common cathode: ≤500		
Avg. Power Consumption (W/m ²)			Common anode: 100~300		Common cathode: ≤160		
Lifetime (H)	100,000						
Operation Temp (°C)	-10~+60						
Storage Temp (°C)	-25~+60						
Operation Humidity (RH)	10%~90%, no condensation						
Cabinet Weight (kg)	7.18						

The parameter index will change according to the specific situation of the project (the product shall be subjected to the submitted contract specification)

SHENZHEN LP DISPLAY TECHNOLOGY CO., LTD

☎ 0755-2350 2825

🌐 en.szlpdisplay.com

✉ oversea@szlpdisplay.com

📍 5D-701, Shenzhen Software Industry Base, Haitian Second Road,
Nanshan, Shenzhen, Guangdong, China



Company
Official Website